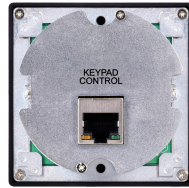


PANELS

GDPS-TG2



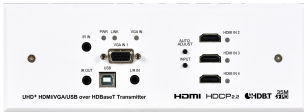
Front View



Rear View

PANELS

CH-2607TXPL



Front View



Rear View

PANELS

CH-2607RXPL



Front View



Rear View

INTRODUCTION

For aesthetic considerations, we specially designed wall plate extender. CMF-100 includes this kind of extender which contains scaler and control functions. It is a multi-functions AV solution designed to provide HDMI video switching, system control, video extension and analog audio amplification in a convenient kit. The system consists of CH-2607TXPL Scaler Wall Plate HDBaseT Transmitter, CH-2607RXPL HDBaseT Receiver and CDPS-TG2 keypad control. The Transmitter can send high-definition uncompressed audio/video over a single cable up to a distance of 60 meters at 1080p, and 35 meters at 4K. The HDMI input supports resolutions up to WUXGA (RB) and with the use of the associated 3.5mm audio input. To provide maximum compatibility with a wide range of display types, all sources will be automatically scaled to match the preferred resolution and timing of the connected display (as reported by the display's EDID). 4K UHD HDMI video sources, up to and including 4K@50/60Hz (4:4:4, 8-bit), are supported by converting the signal to 4K@30Hz when necessary. This system may be powered by 48V PoH from the Receiver, which allows for greater flexibility in installations. Signal management features such as automatic switching based on input signal and hot plug detection enable convenient hands-free operation. An input button on the face of the unit provides quick, single button press, manual input selection. Other functionality is controllable via front panel controls, WebGUI, Telnet, and RS-232. Additionally, the receiver features an analog audio de-embedding 2x20 watt 4 Ohm stereo amplifier.

FEATURES

- Simultaneous transmission of uncompressed video, audio and data over a single 60m Cat.5e/6/7 cable at 1080p and 35m at 4K
- The Transmitter is powered via 48V PoH (PD) from the HDBaseT Receiver (PSE) HDBaseT feature support: HD Video and Audio, 48V PoH, one direction USB pass-through and control (bi-direction IR pass-through)
- Controllable via front panel, WebGUI, Telnet, Key Pad, and RS-232

[Keypad: CDPS-TG2]

- Supports firmware update via USB
- Support 8 keypad triggered command

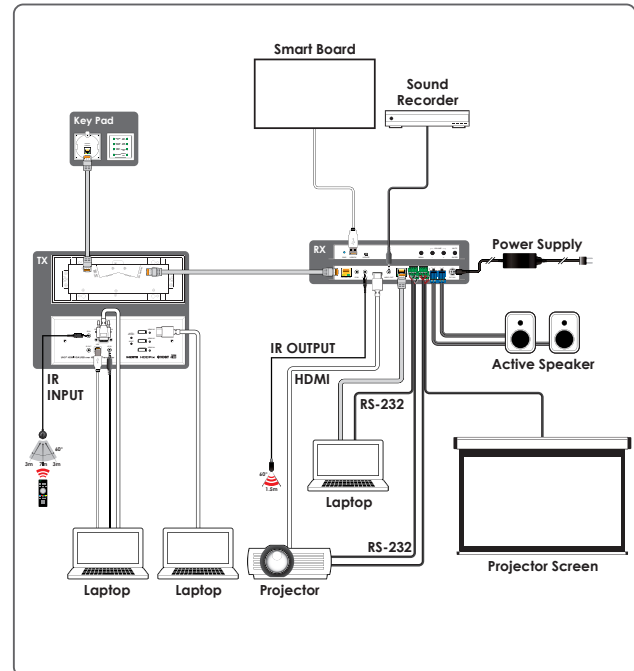
[Transmitter: CH-2607TXPL]

- USB supports firmware update via USB device
- Wall plate is designed for EU three-gang sized enclosures
- Support bidirectional IR pass-through
- Analog stereo audio may be embedded with VGA or HDMI source
- Automatic scaling of sources to match the native resolution of the HDMI display based on EDID (up to 4K@30Hz)

[Receiver: CH-2607RXPL]

- USB pass-through to Receiver
- Supports IR Input & Output bypass feature
- Supports 4 Relay outputs control
- Basic signal event automation via RS-232, CEC, IR
- Supports firmware update via USB
- Analog audio de-embedding 2x20 watt 4 Ohm stereo amplifier

DIAGRAM



SPECIFICATIONS

CDPS-TG2

Interfaces

Control I/O	8 x Buttons 1 x RS-232 (RJ-45)
--------------------	-----------------------------------

Enclosure

Chassis Material	Faceplate: Plastic Casing: Metal
-------------------------	-------------------------------------

Chassis Color	Black
----------------------	-------

Dimensions (W×H×D)	70mm× 70mm× 33mm
---------------------------	------------------

Weight	115g
---------------	------

SPECIFICATIONS

CH-2607TXPL

Interfaces

Input Ports	3 x HDMI (Type-A) 1 x VGA (HD-15) 1 x Unbalanced Stereo (3.5mm)
--------------------	---

Output Ports	1 x HDBaseT (RJ45)
---------------------	--------------------

Control I/O	1 x USB (Type-B) 1 x IR Extender (3.5mm) 1 x IR Blaster (3.5mm) 1 x RS-232 (RJ-45)
--------------------	---

Video

HDMI Compliance	HDMI 2.0 (DVI 1.0)
------------------------	--------------------

HDCP Compliance	2.2
------------------------	-----

Input Signal Type	HDMI 4K@60 8-bit YUV 4:4:4 VGA 1920x1080p@60Hz
--------------------------	---

Output Signal Type	HDBaseT 4K@60 8-bit YUV 4:2:0
---------------------------	-------------------------------

Resolutions

Maximum Input	HDMI 4096×2160p@60
----------------------	--------------------

	VGA 1920x1200p@60RB
--	---------------------

Maximum Output	HDBaseT 4096×2160p@30
-----------------------	-----------------------

Enclosure

Chassis Material	Metal (Aluminum)
-------------------------	------------------

Chassis Color	White
----------------------	-------

Dimensions (W×H×D)	225mm × 81mm × 42mm
---------------------------	---------------------

Weight	350g
---------------	------

Field Firmware Update

PC

SPECIFICATIONS

CH-2607RXPL

Interfaces

Input Ports	1 x HDBaseT (RJ-45)
--------------------	---------------------

Output Port	1 x HDMI (Type-A) 1 x Stereo Audio (3.5mm) 1 x Stereo Audio (2 x 2-pin Terminal Block)
--------------------	--

Pass-through Port	1 x IR Extender (3.5mm) 1 x IR Blaster (3.5mm) 1 x RS-232 port (4-pin Terminal Block) 4 x Power Relay (2-pin Terminal Block)
--------------------------	---

Control I/O	1 x LAN (RJ-45) 1 x RS-232 port (4-pin Terminal Block)
--------------------	---

Service Port	1 x USB 2.0 (Type-A)
---------------------	----------------------

Video

HDMI Compliance	HDMI 2.0
------------------------	----------

HDCP Compliance	2.2
------------------------	-----

Input Signal Type	HDBaseT 4K@60 8 bit YUV 4:2:0
--------------------------	-------------------------------

Output Signal Type	HDMI 4K@60 8 bit YUV 4:2:0
---------------------------	----------------------------

Resolutions

Maximum Input	HDBaseT 4096×2160p@30
----------------------	-----------------------

Maximum Output	HDMI 4096×2160p@30
-----------------------	--------------------

Power

Power Supply	24V/3.75A
---------------------	-----------

Power Consumption	97.02W
--------------------------	--------

Enclosure

Chassis Material	Metal (Aluminum)
-------------------------	------------------

Chassis Color	Black
----------------------	-------

Dimensions (W×H×D)	232mm× 108mm× 25mm
---------------------------	--------------------

Weight	700g
---------------	------

Field Firmware Update

PC, WebGUI

ORDERING INFORMATION

Model No.	Product Description
-----------	---------------------

CDPS-TG2	8 Key Control Keypad
-----------------	----------------------

CH-2607TXPL	UHD+ 4x1 HDMI & VGA to HDBaseT Wallplate with Scaler
--------------------	--

CH-2607RXPL	UHD+ HDBaseT Receiver with Amplifier
--------------------	--------------------------------------