



HDMI® Converter

# User Manual

Model: SDI02E-12G

4K60Hz HDMI® to 12G-SDI Compact Converter with Dual  
Outputs



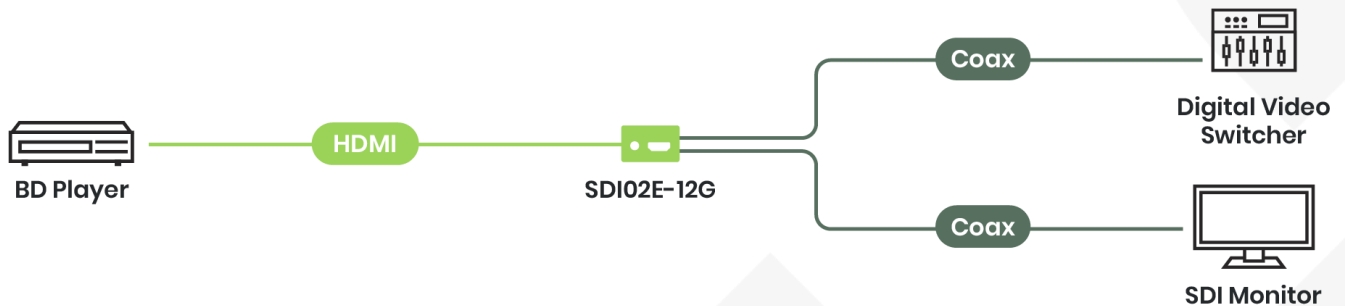
## Introduction

SDI02E-12G is an HDMI® 2.0 to 12G-SDI converter that turns consumer HDMI® into SDI signals for broadcast applications. This small and compact converter has two SDI output ports, which can operate at the same time.

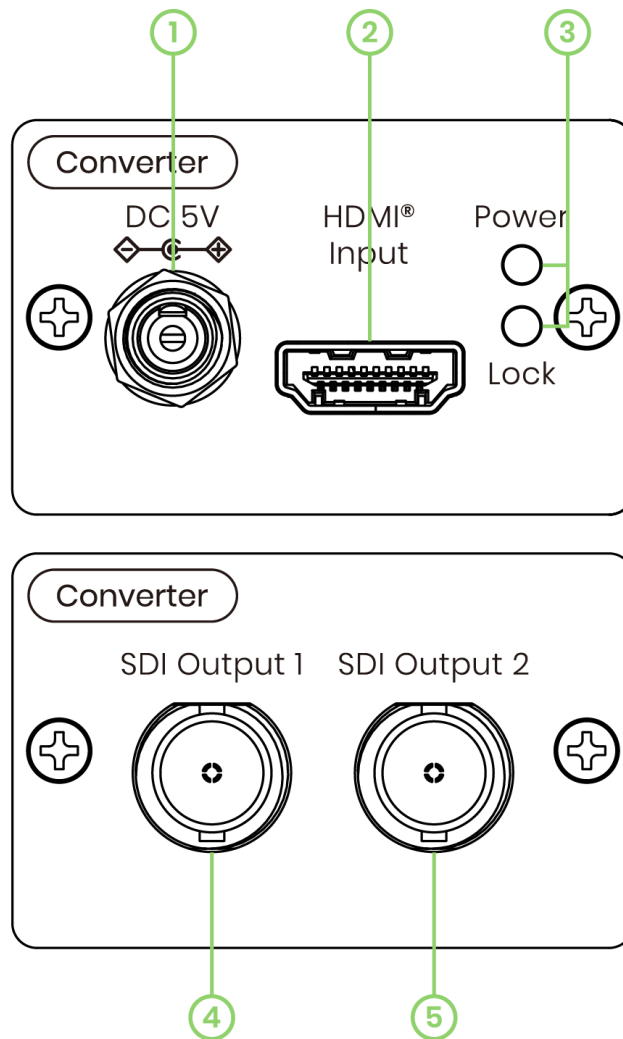
## Features

- HDMI® input resolution up to 4K@60Hz
- 12G-SDI output compatible with 6G/3G/HD
- The power input is designed with a locking mechanism to prevent pulling or detachment
- Small, compact, easy to install
- Multiple mounting options: Walls, racks, or DIN rails

## Application Diagram

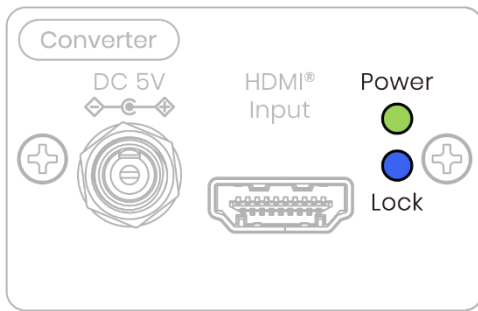


Panel View



No	Interface	Description
1	DC Jack (with lock)	To plug in a DC 5V power adapter
2	HDMI® Input	To connect to an HDMI® source
3	Power/Lock LED	Refer to <i>LED Indication</i> (p. 3)
4	SDI Output 1	To connect an SDI display or digital video switcher
5	SDI Output 2	

**LED Indication**



LED Color	LED Status	Description
Power (Green)	On	Power On
	Off	Power Off
Lock (Blue)	On	HDMI® signal locked and SDI signal ready to transmit
	Off	No HDMI® signal

**Resolution**

Resolutions Supported		
HDMI® Format	Frequency	Frequency
4096x2160p	50/59.94/60Hz	12G-SDI
3840x2160p	50/59.94/60Hz	
4096x2160p	23.98/24/25/29.97/30Hz	6G-SDI
3840x2160p	23.98/24/25/29.97/30Hz	
1920x1080p	50/59.94/60Hz	3G-SDI
1920x1080p	23.98/24/25/29.97/30Hz	HD-SDI
1920x1080i	50/59.94/60Hz	
1280x720p	50/59.94/60Hz	

**Caution**

1. This product is designed for indoor applications. If outdoor use is necessary, please additionally install a waterproof protective case and surge protector to prevent damage caused by lightning.
2. Do not place any objects on the power or transmission cables, and avoid stepping on all connection cables.
3. Do not place this product in damp or high-temperature environments. Avoid nearing water or high-temperature devices such as radiators, stoves, etc.
4. Immediately turn off the power and disconnect all connected devices when the following events occur:
  - A. When water or other liquids penetrate the product.
  - B. When the product is damaged due to external force.
  - C. When the product cannot be used normally as described in the manual.
5. If any of the above events occur, please contact us for assistance.
6. It is recommended to use certified Premium HDMI® cables for high-resolution video transmission.
7. It is recommended to use certified coaxial cables for high-resolution video transmission.
8. This converter does not support SD-SDI and 3G-SDI level B.
9. Color formats RGB and YCbCr 444 will be converted to YCbCr 422.
10. If connected to a PC or laptop (graphic cards) that supports 4K60Hz resolution, the default output resolution will be 3G 1080p. The resolution can be manually adjusted to 4K60Hz on the PC.

**Package Includes**

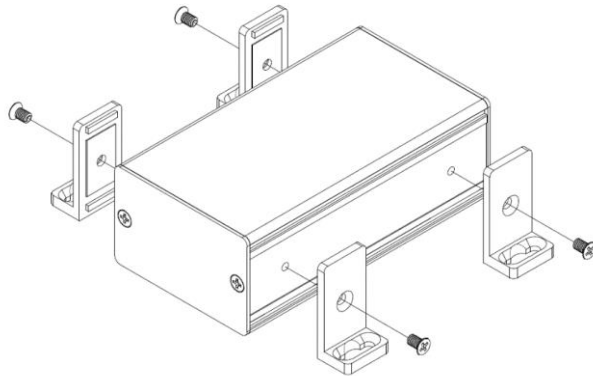
Item	Amount
SDI02E-12G	1 pc
DC 5V2A Power Adapter	1 pc
Mounting Screw pack	1 bag

Technical Specification	
Model	SDI02E-12G
Compliance	
Input Resolution	4096 x 2160p@60/59.94/50/30/29.97/25/24/23.98Hz 3840 x 2160p@60/59.94/50/30/29.97/25/24/23.98Hz 1920 x 1080p@60/59.94/50/30/29.97/25/24/23.98Hz 1920 x 1080i@60/59.94/50Hz 1280 x 720p@60/59.94/50Hz
Output Resolution	12G: SMPTE 2082@11.88 and 11.868Gb/s 4096 x 2160p@60/59.94/50/30/29.97/25/24/23.98Hz 3840 x 2160p@60/59.94/50/30/29.97/25/24/23.98Hz  6G: SMPTE 2081@5.94 and 5.934Gb/s 4096 x 2160p@30/29.97/25/24/23.98Hz 3840 x 2160p@30/29.97/25/24/23.98Hz 1920 x 1080p@60/59.94/50Hz  3G-A: SMPTE 424@2.97 and 2.967Gb/s 1920 x 1080p@60/59.94/50/30/29.97/25/24/23.98Hz 1280 x 720p@60/59.94/50Hz  HD: SMPTE 292@1.485 and 1.435Gb/s 1920 x 1080i@60/59.94/50Hz 1920 x 1080p @30/29.97/25/24/23.98Hz 1280 x 720p@60/59.94/50Hz  ※ Does not support SD-SDI and 3G-SDI level B
Audio Format	PCM 2CH 、 5.1CH 、 7.1CH
Ports & Interfaces	
Input	1 x HDMI® Type A
Output	2 x BNC
Power	
Power Supply	DC 5V 2A
Power Consumption	5W
Power Saving	2W
Ambient Temperature	
Operation	0 to 55°C
Storage	-40 to 85°C
Operating Altitude (Max.)	2000m
Humidity	Up to 95%
Physical Characteristics	
Dimension	50 x 93 x 32mm
Weight	158g

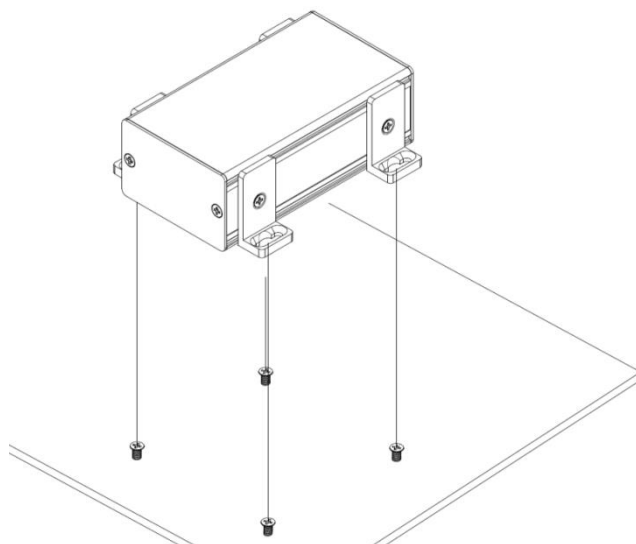
## Installation Instructions

### Install on a Platform

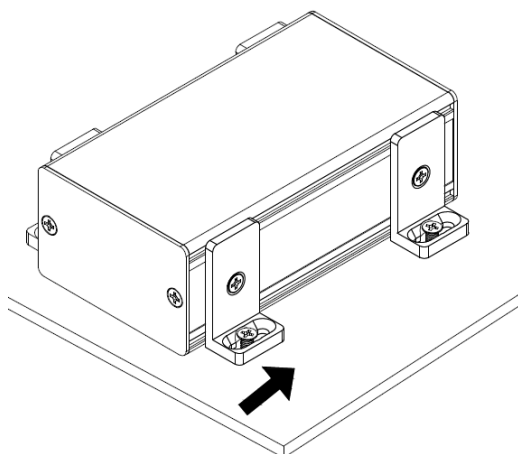
**Step 1** Use machine screws to fix angle brackets on both sides of the product



**Step 2** Use self-drilling screws to fix the product on a platform

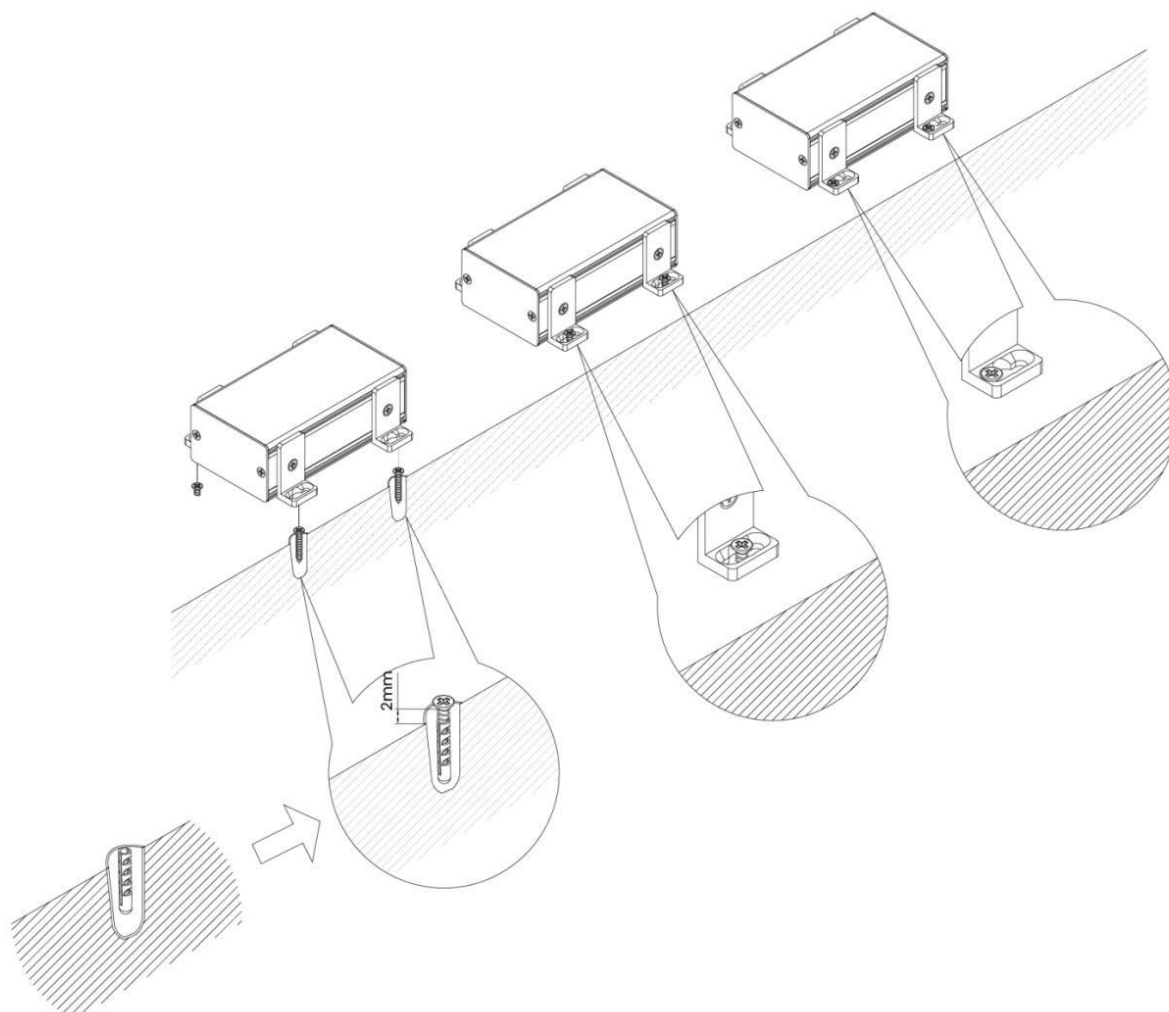


**Step 3** Move the product to get fixed and then lock the screws



### Install on a Wall

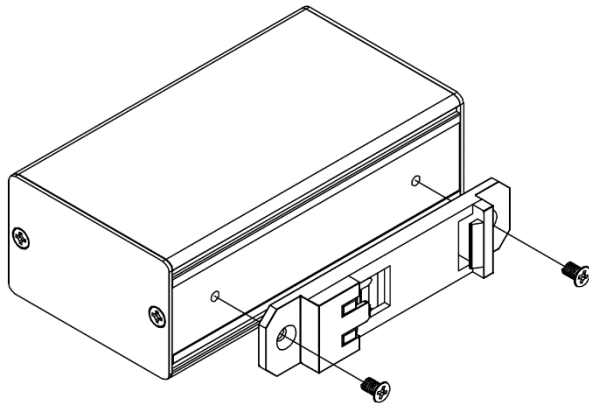
**Step 1** Follow Step 1 in **Install on a Platform** to fix the angle brackets. Use self-drilling screws to fix the product on a wall, leaving a 2mm gap protruding from the surface. Align and attach the angle brackets to the protruding screws



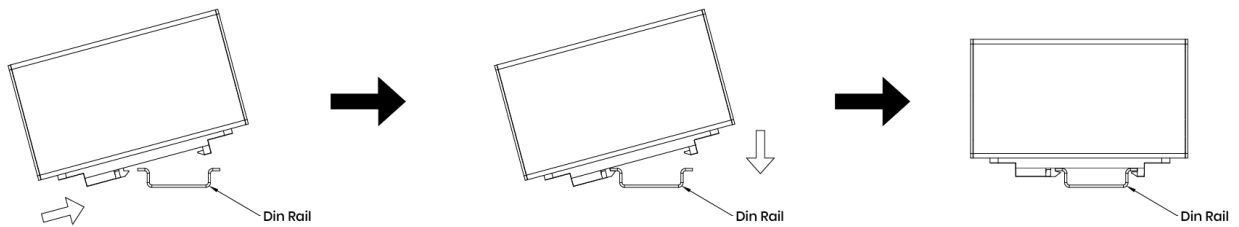


**Installed on a DIN rail**

**Step 1** Screw the DIN rail mount onto the side of the product

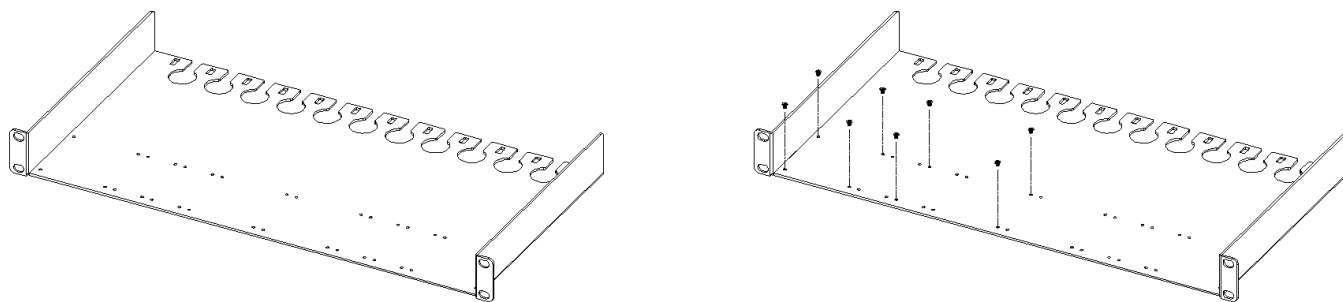


**Step 2** Refer to the diagram to mount the product onto the DIN rail

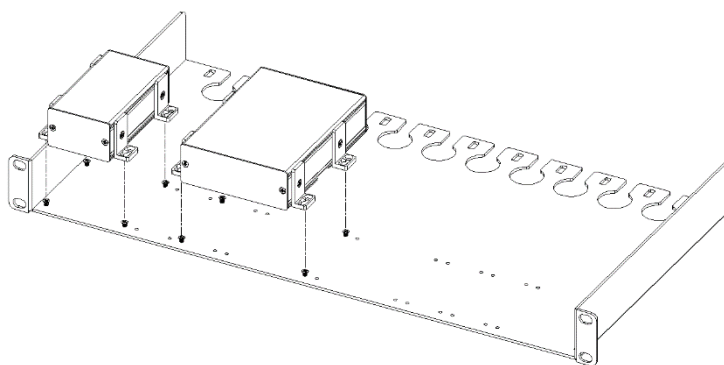


**Install on a Rack**

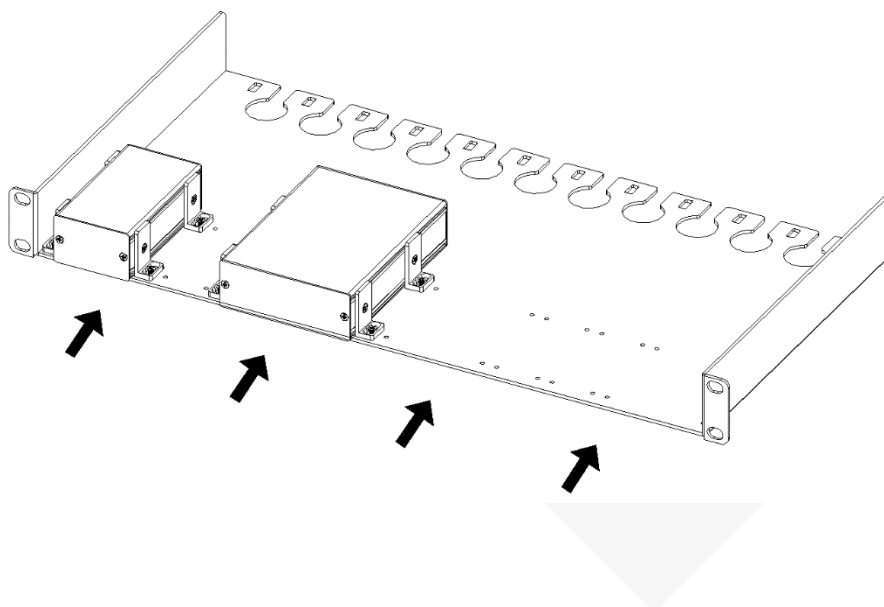
**Step 1** Lock the machine screws onto the rack



**Step 2** Align and attach the angle brackets on the product to the screws



**Step 3** Align the products with the edge of the rack



**Step 4** Install the rack into a cabinet

