

# AIP-D4101 & AIP-D1401

4 Balanced In, Analog Audio to Dante  
4 Balanced Out, Dante to Analog Audio



These Transmitter and Receiver are with Dante Technology. They are easy to use. Because with Dante technology, it is obviously easier and more flexible than physically wiring. Dante does away with bundles of heavy expensive analog or multi-cores cables, replacing it with low cost easy available CAT 5e, CAT 6 cables. Super-standard good sound quality is another benefit of Dante. Because it is a digital transmission method, you do not need to worry about interference and crosstalk, and worry about signal attenuation caused by constant distance transmission. These units provide flexibility for installation. Equipped with four audio inputs/outputs and one LAN port, they could transfer audio and route them easily with 3rd party units via the Dante network. On the ADC, adjustable phantom power from +0V to +48V for each port supports for microphones, and auxiliaries.

## PANELS

### ADC PANELS



Front View

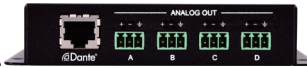
### DAC PANELS



Front View

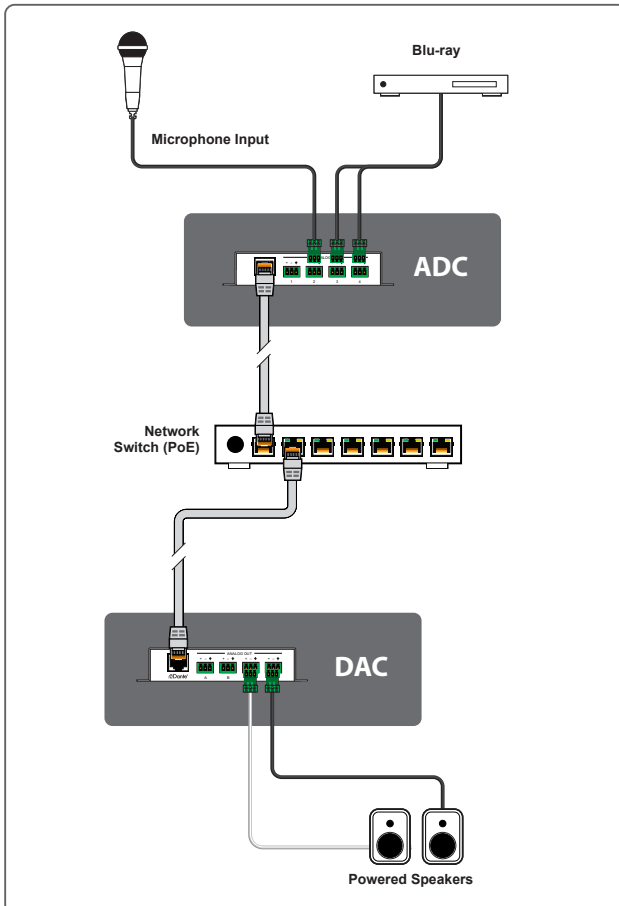


Rear View



Rear View

## DIAGRAM



## FEATURES

- Adjustable phantom power from +0V to +48V.
- Easily route audio with 3rd party units in the Dante network.
- May be powered directly by PoE when connected to a Gigabit Ethernet switch that provides PoE (802.3af)

## SPECIFICATIONS

### Interfaces

<b>Input Port</b>	ADC	4 × Analog In (3-pin Terminal Block)
<b>Output Port</b>	DAC	4 × Analog Out (3-pin Terminal Block)
<b>Bi-direction Port</b>		1 × LAN (RJ-45)

### Audio

<b>Analog In</b>	ADC	Max Audio Level: 4Vrms Impedance: 42.3kΩ Type: Balanced S/N Ratio: > 87dB (1kHz with 0dBFS)
<b>Analog Out</b>	DAC	Max Audio Level: 4Vrms Impedance: 499Ω Type: Balanced S/N Ratio: > 87dB (1kHz with 0dBFS)

### Power

<b>Power Supply</b>	POE
<b>Power Consumption</b>	6W(TX), 6W(RX)

### Enclosure

<b>Chassis Material</b>	Aluminum
<b>Chassis Color</b>	Black
<b>Dimensions (W×H×D)</b>	110mm×25mm×108mm [Case Only] 128mm×25mm×108mm [All Inclusive]
<b>Weight</b>	351g (TX), 354g(RX)

## ORDERING INFORMATION

<b>Model No.</b>	Product Description
<b>AIP-D4101</b>	4 Balance In, Analog Audio to Dante
<b>AIP-D1401</b>	4 Balance Out, Dante to Analog Audio
<b>ACC-XLRFM3P</b>	XLR Female Connector